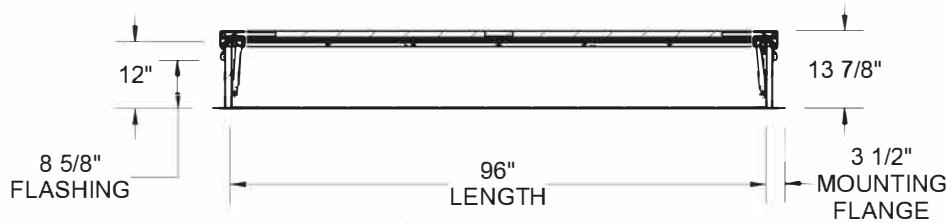
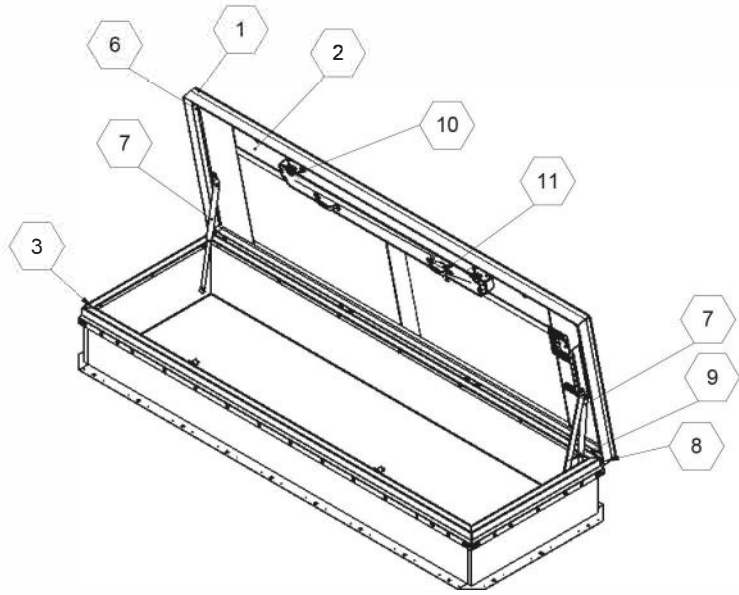


SECTION A-A



SECTION B-B

**SPECIFICATIONS:**

- **COVER:**  
14 GA GALV STEEL, STIFFENED TO WITHSTAND A LIVE LOAD OF 40PSF WITH A MAX DEFLECTION OF 1/150 OF THE SPAN.
- **LINER:** 22 GA GALV STEEL
- **CURB:** 14 GA GALV STEEL, CURB COUNTERFLASH WITH EZ TABS.
- **4 FINISH:** RED OXIDE PWD
- **(5) INSULATION:** 1" POLYISO R-6 (5.6 LTTR) IN CURB,  
1" POLYSTYRENE R-4 (3.8 LTTR) IN COVER.
- **GASKET:**  
EXTRUDED EPDM RUBBER ADHESIVE BACKED GASKET SEAL CONTINUOUS AROUND COVER.
- **SPRING:**  
GAS SPRING WITH DAMPER FOR SMOOTH, CONTROLLED, COUNTERBALANCED LIFT ASSISTANCE.
- **(8) HINGE:** PINTLE HINGE WITH STAINLESS STEEL HINGE PINS.
- **HOLD OPEN ARM:**  
ZINC PLATED STEEL AUTOMATIC HOLD OPEN ARM LOCKS COVER IN FULLY OPEN POSITION WITH RED GRIP HANDLE PULL RELEASE.

● **(10) LATCH:**

ZINC PLATED STEEL SLAM LATCH, HOLDS COVERS CLOSED AGAINST WIND UPLIFT. INTERIOR AND EXTERIOR HANDLES WITH PADLOCK HASPS.

● **PULL HANDLE:** INTERIOR PULL DOWN HANDLE

**NOTES:**

- WHEN INSTALLING ON A PITCHED ROOF UP TO 7:12, THE HINGE SIDE(LENGTH)MUST BE PARALLEL TO THE SLOPE.
- WIDTH X LENGTH DIMENSIONS ARE MEASURED INSIDE CURB TO INSIDE CURB. THE WIDTH IS HINGE TO LATCH AND LENGTH IS HINGED SIDE.

**ROOF HATCH SIZE 30" (WIDTH) x 96" (LENGTH)**

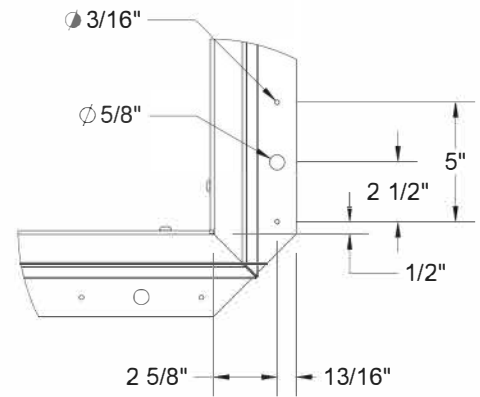
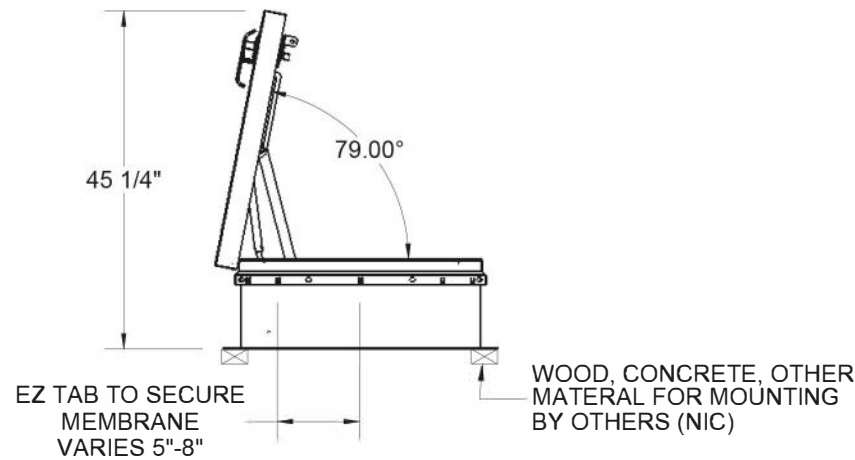
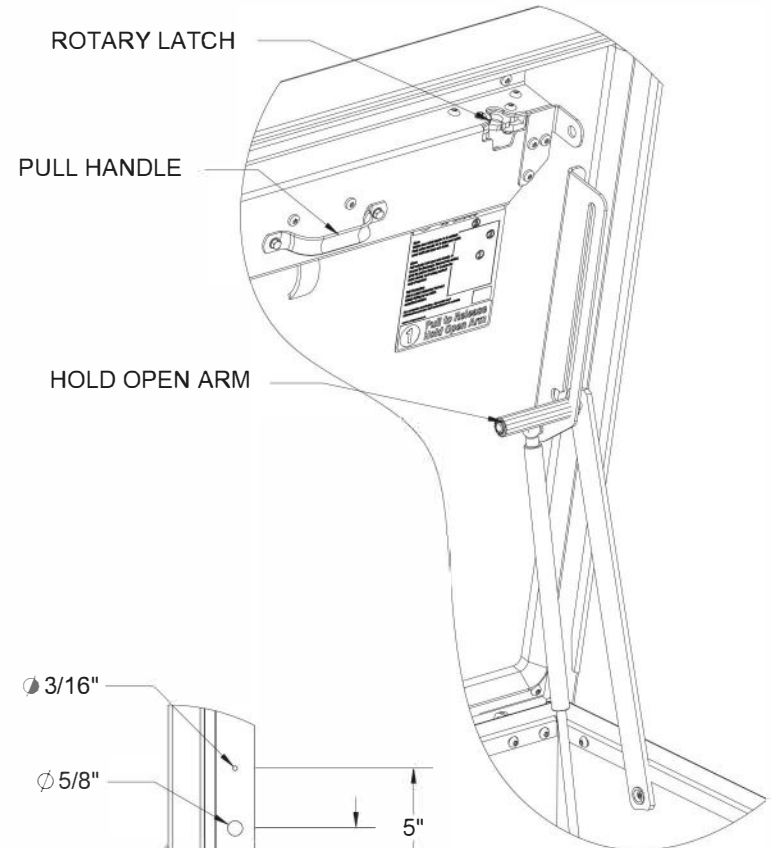
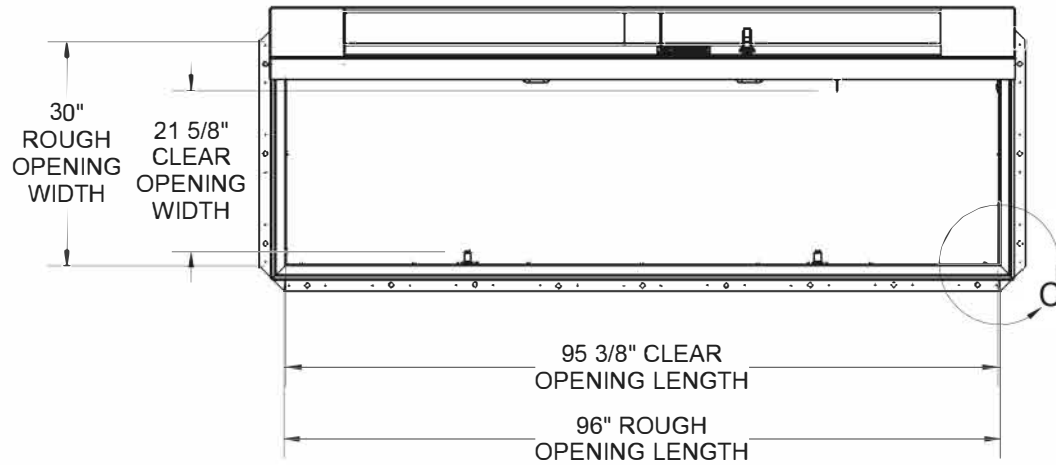


**MIAMI DADE ACCEPTANCE NO: 21-1201.02**  
**EXPIRATION DATE: 5/25/2027**

**TEST CERTIFICATIONS:**

- TAS201-94 IMPACT TEST - CLASS IV
- TAS202-94 UNIFORM STATIC AIR PRESSURE
- TAS203-94 CYCLE WIND PRESSURE LOAD

PROJECT:			
ARCHITECT:			
CONTRACTOR:			
QTY:			
PART#:		<b>BG3096</b>	
		TITLE:	
		Roof Hatch, Personnel, 30x96, S Dr, Zinc Hdw, Galv, Red Oxide Pwd, Sngl Wall Curb	
NAME	DATE	SIZE	DWG. NO.
DRAWN DWO	12/30/21	A	
RELEASED DWO	12/30/21	WEIGHT: 356 LBS	REV A
			SHEET 1 OF 2



DETAIL C  
SCALE 1 : 8

				TITLE:		Roof Hatch, Personnel, 30x96, S Dr, Zinc Hdw, Galv, Red Oxide Pwd, Sngl Wall Curb
				DWG. NO.		
DRAWN	DWO	12/30/21	A	WEIGHT: 356 LBS		SHEET 2 OF 2
RELEASED	DWO	12/30/21				