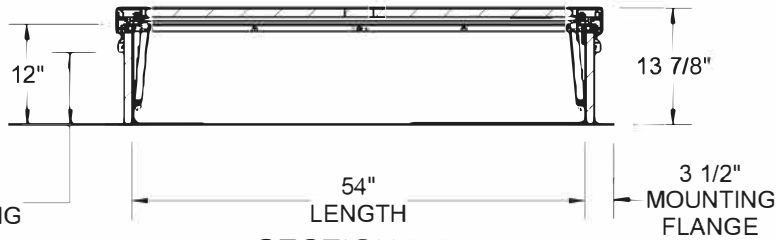
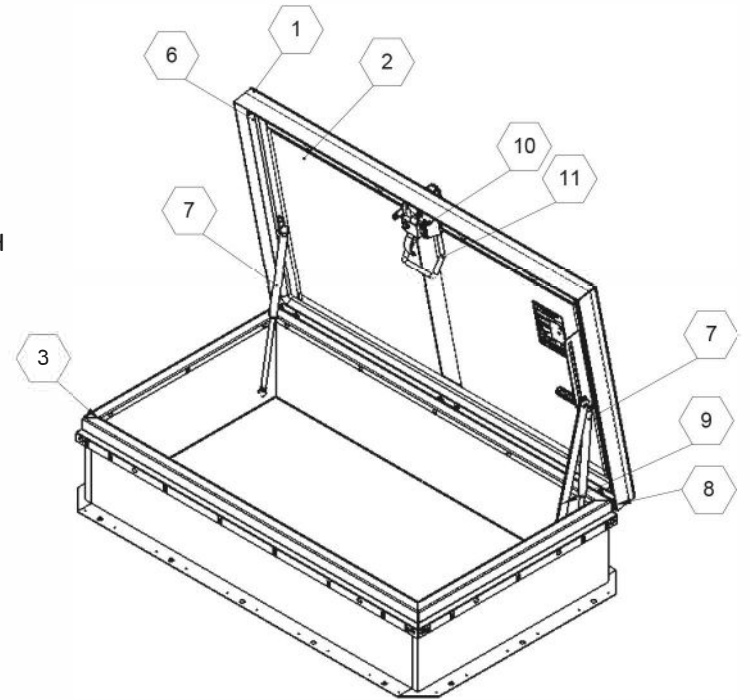


SECTION A-A



SECTION B-B

**SPECIFICATIONS:**

- **COVER:**  
14 GA GALV STEEL, STIFFENED TO WITHSTAND A LIVE LOAD OF 40PSF WITH A MAX DEFLECTION OF 1/150 OF THE SPAN.
- **LINER:** 22 GA GALV STEEL
- **CURB:** 14 GA GALV STEEL, CURB COUNTERFLASH WITH EZ TABS.
- **4 FINISH:** RED OXIDE PWD
- **(5) INSULATION:** 1" POLYISO R-6 (5.6 LTTR) IN CURB,  
1" POLYSTYRENE R-4 (3.8 LTTR) IN COVER.
- **GASKET:**  
EXTRUDED EPDM RUBBER ADHESIVE BACKED GASKET SEAL CONTINUOUS AROUND COVER.
- **SPRING:**  
GAS SPRING WITH DAMPER FOR SMOOTH, CONTROLLED, COUNTERBALANCED LIFT ASSISTANCE.
- **(8) HINGE:** PINTLE HINGE WITH STAINLESS STEEL HINGE PINS.
- **HOLD OPEN ARM:**  
ZINC PLATED STEEL AUTOMATIC HOLD OPEN ARM LOCKS COVER IN FULLY OPEN POSITION WITH RED GRIP HANDLE PULL RELEASE.

● **(10) LATCH:**

ZINC PLATED STEEL SLAM LATCH, HOLDS COVERS CLOSED AGAINST WIND UPLIFT, INTERIOR AND EXTERIOR HANDLES WITH PADLOCK HASPS.

● **PULL HANDLE:**

INTERIOR PULL DOWN HANDLE, SAFETY YELLOW POWDER COAT.

**NOTES:**

- WHEN INSTALLING ON A PITCHED ROOF UP TO 7:12, THE HINGE SIDE(LENGTH)MUST BE PARALLEL TO THE SLOPE.
- WIDTH X LENGTH DIMENSIONS ARE MEASURED INSIDE CURB TO INSIDE CURB. THE WIDTH IS HINGE TO LATCH AND LENGTH IS HINGED SIDE.

**ROOF HATCH SIZE 30" (WIDTH) x 54" (LENGTH)**

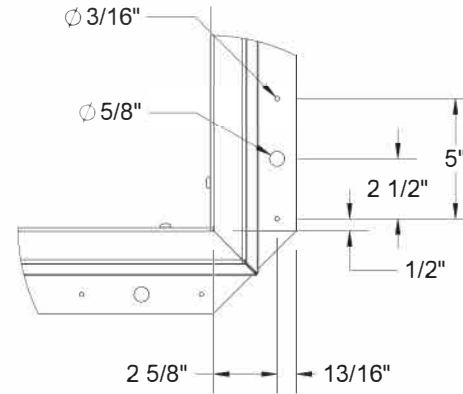
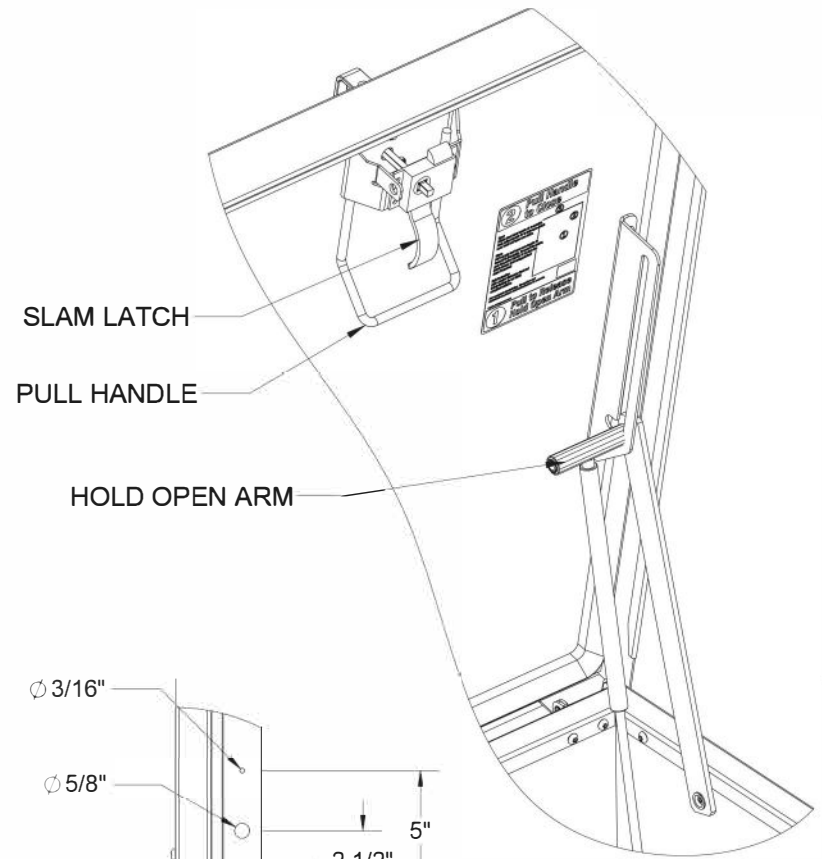
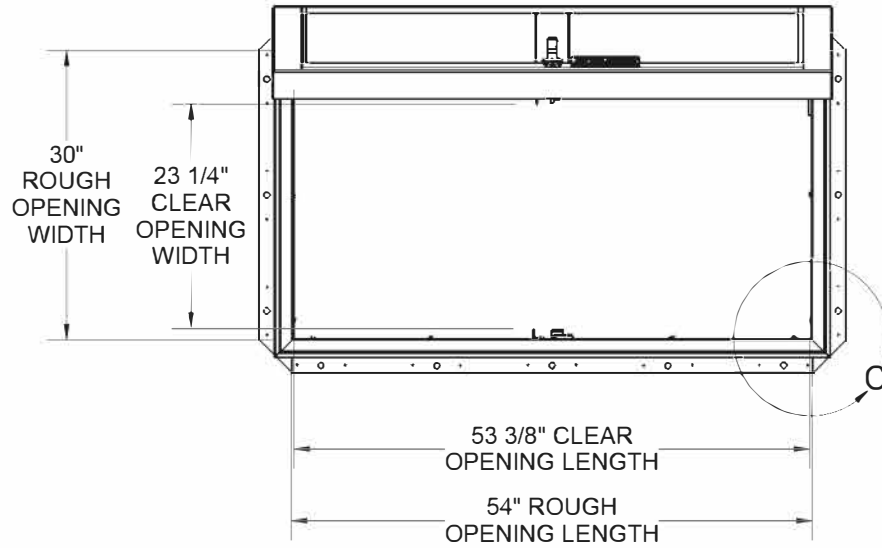


**MIAMI DADE ACCEPTANCE NO: 21-1201.02**  
**EXPIRATION DATE: 5/25/2027**

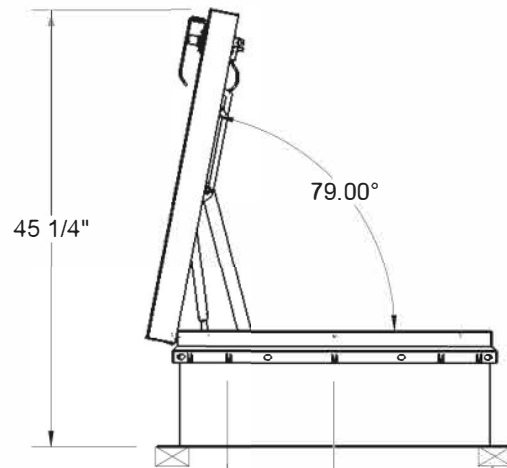
**TEST CERTIFICATIONS:**

- TAS201-94 IMPACT TEST - CLASS IV
- TAS202-94 UNIFORM STATIC AIR PRESSURE
- TAS203-94 CYCLE WIND PRESSURE LOAD

PROJECT:			
ARCHITECT:			
CONTRACTOR:			
QTY:			
PART#:		BG3054	
TITLE:		Roof Hatch, Personnel, 30x54, S Dr, Zinc Hdw, Galv, Red Oxide Pwd, Sngl Wall Curb	
NAME	DATE	SIZE	DWG. NO.
DRAWN DWO	1/3/22	A	
RELEASED DWO	1/3/22		WEIGHT: 213.2 LBS
			REV A
			SHEET 1 OF 2



DETAIL C  
SCALE 1 : 8



EZ TAB TO SECURE  
MEMBRANE  
VARIES 5"-8"

WOOD, CONCRETE, OTHER  
MATERIAL FOR MOUNTING  
BY OTHERS (NIC)



TITLE:  
Roof Hatch, Personnel,  
30x54, S Dr, Zinc Hdw, Galv, Red Oxide Pwd,  
Sngl Wall Curb

	NAME	DATE	SIZE	DWG. NO.	REV
DRAWN	DWO	1/3/22	A		A
RELEASED	DWO	1/3/22		WEIGHT: 213.2 LBS	SHEET 2 OF 2