



## Installation Manual:

RoofGuard Rooftop Guardrail Systems  
Gargoyle Rooftop Guardrail Systems  
HatchGuard Guardrail Systems  
Gargoyle Hatch Guardrail Systems  
RoofGuard Skylight Guardrail Systems  
Gargoyle Skylight Guardrail Systems

This Installation Manual is intended to meet the Manufacturer's Instructions requirements and should be used as part of an employee training program.

## Rooftop Guardrail Systems

Model Numbers:

RGC-KIT-09, RGC-KIT-12, RGC-KIT-18,  
RGC-KIT-27, HG-KIT-08, HG-KIT-4X6,  
HG-KIT-4X6-H, RGC-KIT-SKY44,  
RGC-KIT-SKY64, RGC-KIT-SKY66,  
RGC-KIT-SKY99

## WARNINGS AND CONDITIONS

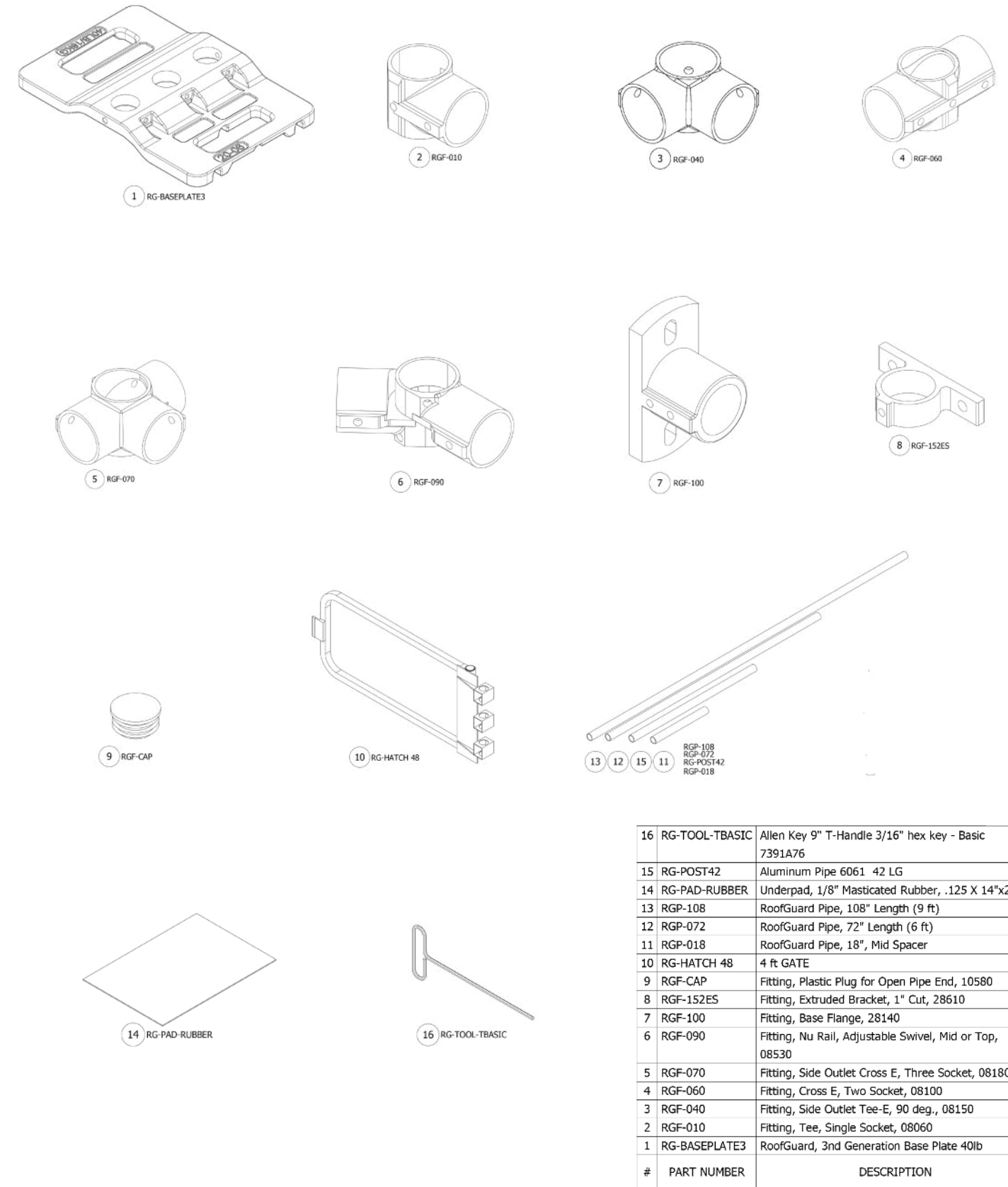
These instructions must be provided to the installer of this system. The installer must read and understand these instructions and follow.

Failure to follow these instructions or the details of the unique layout drawing provided may result in serious injury or death. If you have any questions about this system's use or care, please contact the manufacturer: 1-800-977-2005.

# Table of Contents

- Component Identification.....2
- Typical Layout.....3
- Post Assembly.....4
- Post/Base Connection.....5
- Horizontal Rails A.....6
- Horizontal Rails B.....7
- Skylight Rails.....8
- Hatch Rails.....9

Figure 1 - Component Identification



## **! WARNING** IMPROPER USE OR INSTALLATION OF THIS EQUIPMENT MAY CAUSE INJURY OR DEATH

Failure to Read, Understand, and Follow the Installation Manual may result in injury or death

- DO NOT** lean on the railing
- DO NOT** stand or climb on the railing
- DO NOT** use rail as a tie-off point
- DO NOT** use rail for lifting or hoisting
- DO NOT** install railing within 10-feet of any electrical lines
- DO NOT** use if any component is found defective or damaged
- DO NOT** attach banners, signs, or equipment to rail.
- DO NOT** apply an excess force to the top rail which could cause tipping

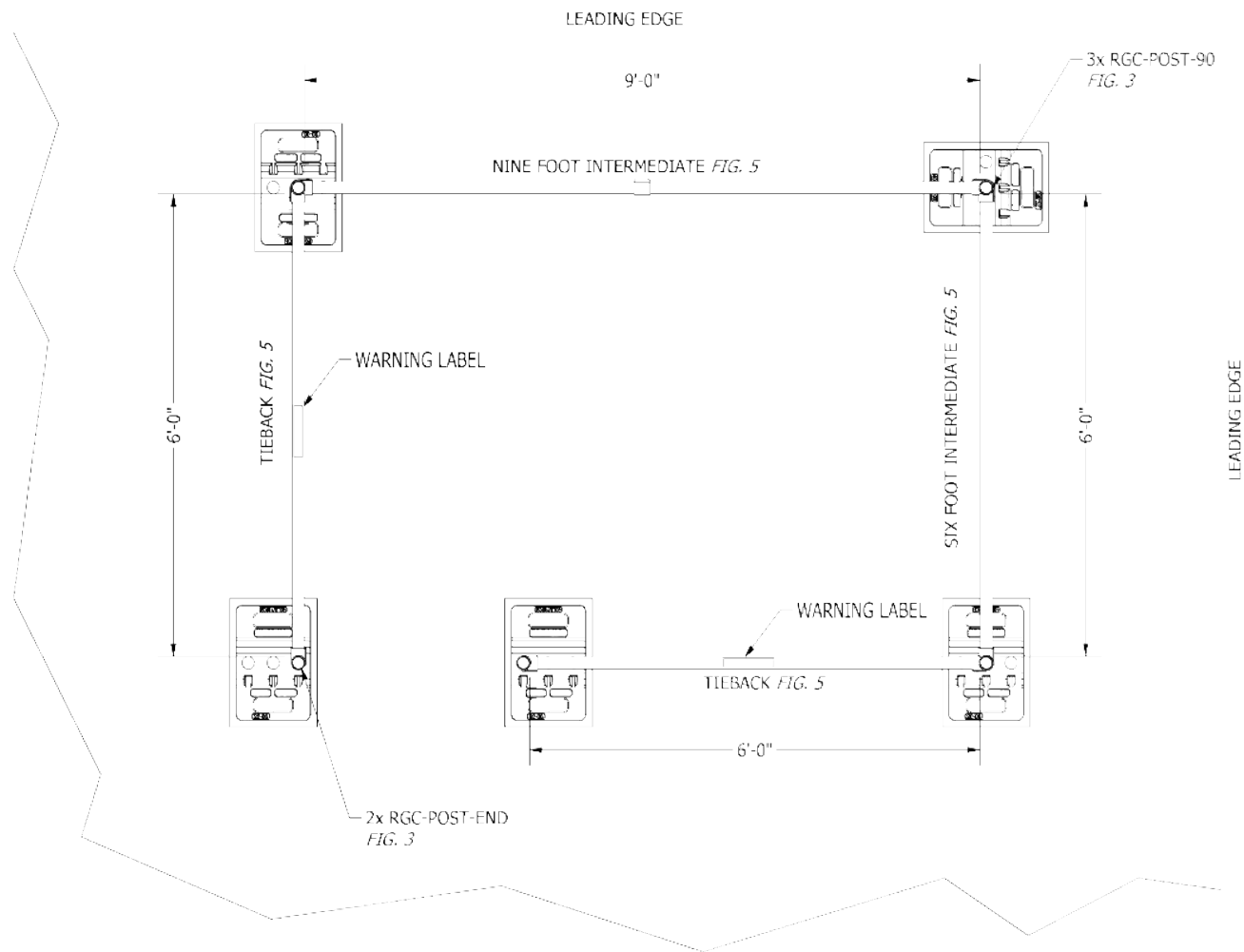
- DO** install on a clean, dry, flat surface per Installation Manual
- DO** read and follow this document (Installation Manual) and details on System Drawing

Roofguard and Gargoyle systems are designed and are to be used only for their intended purpose. The use of these guardrail systems or their components for any other purpose **may cause injury or death.**

16	RG-TOOL-TBASIC	Allen Key 9" T-Handle 3/16" hex key - Basic 7391A76
15	RG-POST42	Aluminum Pipe 6061 42 LG
14	RG-PAD-RUBBER	Underpad, 1/8" Masticated Rubber, .125 X 14"x20"
13	RGP-108	RoofGuard Pipe, 108" Length (9 ft)
12	RGP-072	RoofGuard Pipe, 72" Length (6 ft)
11	RGP-018	RoofGuard Pipe, 18", Mid Spacer
10	RG-HATCH 48	4 ft GATE
9	RGF-CAP	Fitting, Plastic Plug for Open Pipe End, 10580
8	RGF-152ES	Fitting, Extruded Bracket, 1" Cut, 28610
7	RGF-100	Fitting, Base Flange, 28140
6	RGF-090	Fitting, Nu Rail, Adjustable Swivel, Mid or Top, 08530
5	RGF-070	Fitting, Side Outlet Cross E, Three Socket, 08180
4	RGF-060	Fitting, Cross E, Two Socket, 08100
3	RGF-040	Fitting, Side Outlet Tee-E, 90 deg., 08150
2	RGF-010	Fitting, Tee, Single Socket, 08060
1	RG-BASEPLATE3	RoofGuard, 3rd Generation Base Plate 40lb
#	PART NUMBER	DESCRIPTION

## **! WARNING** Failure to Read, Understand, and Follow the Installation Manual may result in injury or death

Figure 2 - Typical Layout



Typical Layout

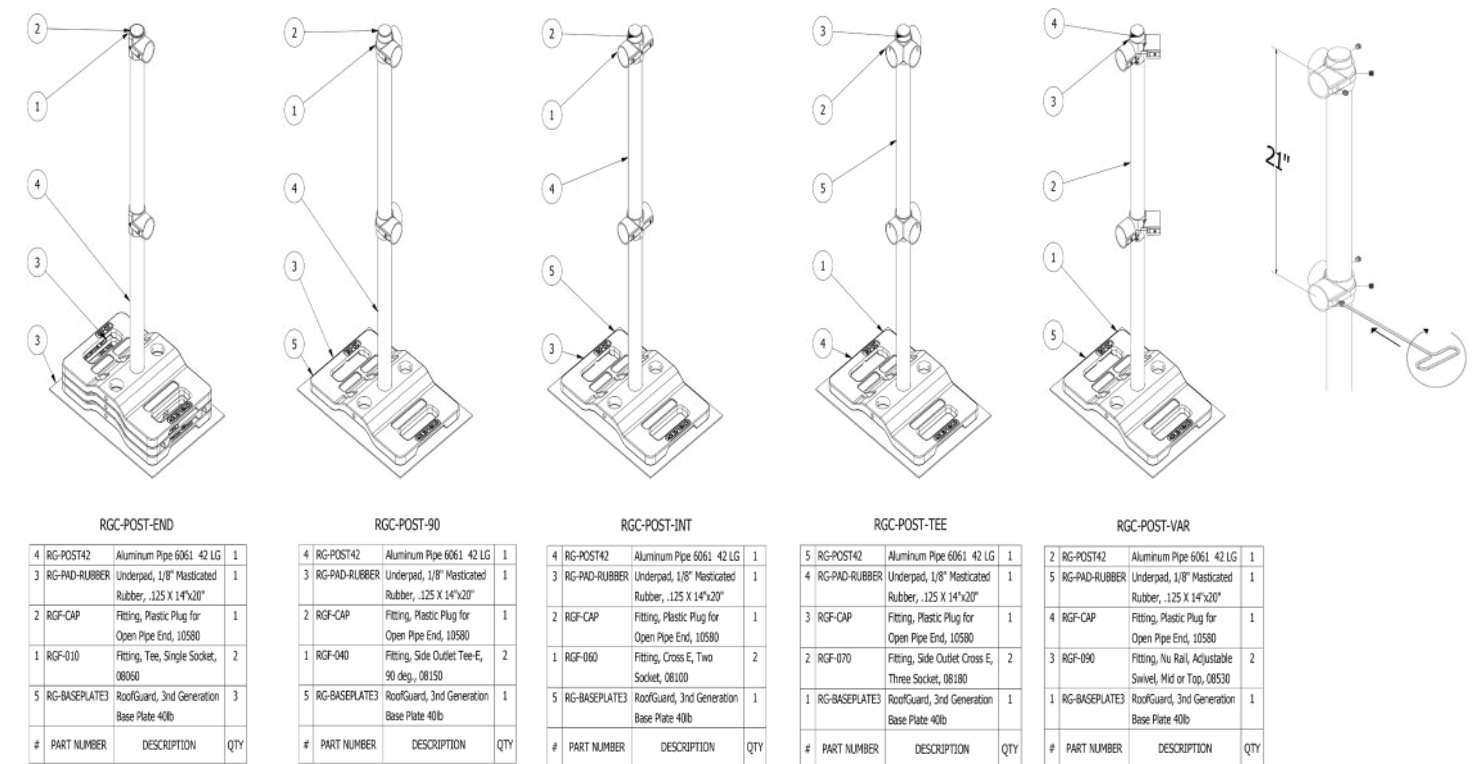
- Install on a flat (5-degrees or less), clean, dry surface, only.
- Tie-back rails must be 6' (2.4m) from any parallel fall hazard/edge.
- If parapet wall/curb is not present – contact manufacturer.
- Install tie-backs perpendicular to hazard edge, at ends of guardrail and at least every 27' (8.2m).
- Each system comes with a unique layout drawing with details specific to that system.
- No modifications or alterations are permitted to the layout without manufacturer's written approval.



**WARNING**

Failure to Read, Understand, and Follow the Installation Manual may result in injury or death

Figure 3 - Post Assembly



RGC-POST-END			
#	PART NUMBER	DESCRIPTION	QTY
4	RG-POST42	Aluminum Pipe 6061 42 LG	1
3	RG-PAD-RUBBER	Underpad, 1/8" Masticated Rubber, .125 X 14"x20"	1
2	RGF-CAP	Fitting, Plastic Plug for Open Pipe End, 10580	1
1	RGF-010	Fitting, Tee, Single Socket, 08060	2
5	RG-BASEPLATE3	RoofGuard, 3rd Generation Base Plate 40lb	3

RGC-POST-90			
#	PART NUMBER	DESCRIPTION	QTY
4	RG-POST42	Aluminum Pipe 6061 42 LG	1
3	RG-PAD-RUBBER	Underpad, 1/8" Masticated Rubber, .125 X 14"x20"	1
2	RGF-CAP	Fitting, Plastic Plug for Open Pipe End, 10580	1
1	RGF-040	Fitting, Side Outlet Tee-E, 90 deg., 08150	2
5	RG-BASEPLATE3	RoofGuard, 3rd Generation Base Plate 40lb	1

RGC-POST-INT			
#	PART NUMBER	DESCRIPTION	QTY
4	RG-POST42	Aluminum Pipe 6061 42 LG	1
3	RG-PAD-RUBBER	Underpad, 1/8" Masticated Rubber, .125 X 14"x20"	1
2	RGF-CAP	Fitting, Plastic Plug for Open Pipe End, 10580	1
1	RGF-060	Fitting, Cross E, Two Socket, 08100	2
5	RG-BASEPLATE3	RoofGuard, 3rd Generation Base Plate 40lb	1

RGC-POST-TEE			
#	PART NUMBER	DESCRIPTION	QTY
5	RG-POST42	Aluminum Pipe 6061 42 LG	1
4	RG-PAD-RUBBER	Underpad, 1/8" Masticated Rubber, .125 X 14"x20"	1
3	RGF-CAP	Fitting, Plastic Plug for Open Pipe End, 10580	1
2	RGF-070	Fitting, Side Outlet Cross E, Three Socket, 08180	2
1	RG-BASEPLATE3	RoofGuard, 3rd Generation Base Plate 40lb	1

RGC-POST-VAR			
#	PART NUMBER	DESCRIPTION	QTY
2	RG-POST42	Aluminum Pipe 6061 42 LG	1
5	RG-PAD-RUBBER	Underpad, 1/8" Masticated Rubber, .125 X 14"x20"	1
4	RGF-CAP	Fitting, Plastic Plug for Open Pipe End, 10580	1
3	RGF-090	Fitting, No Rail, Adjustable Swivel, Mid or Top, 08530	2
1	RG-BASEPLATE3	RoofGuard, 3rd Generation Base Plate 40lb	1

Post Assembly

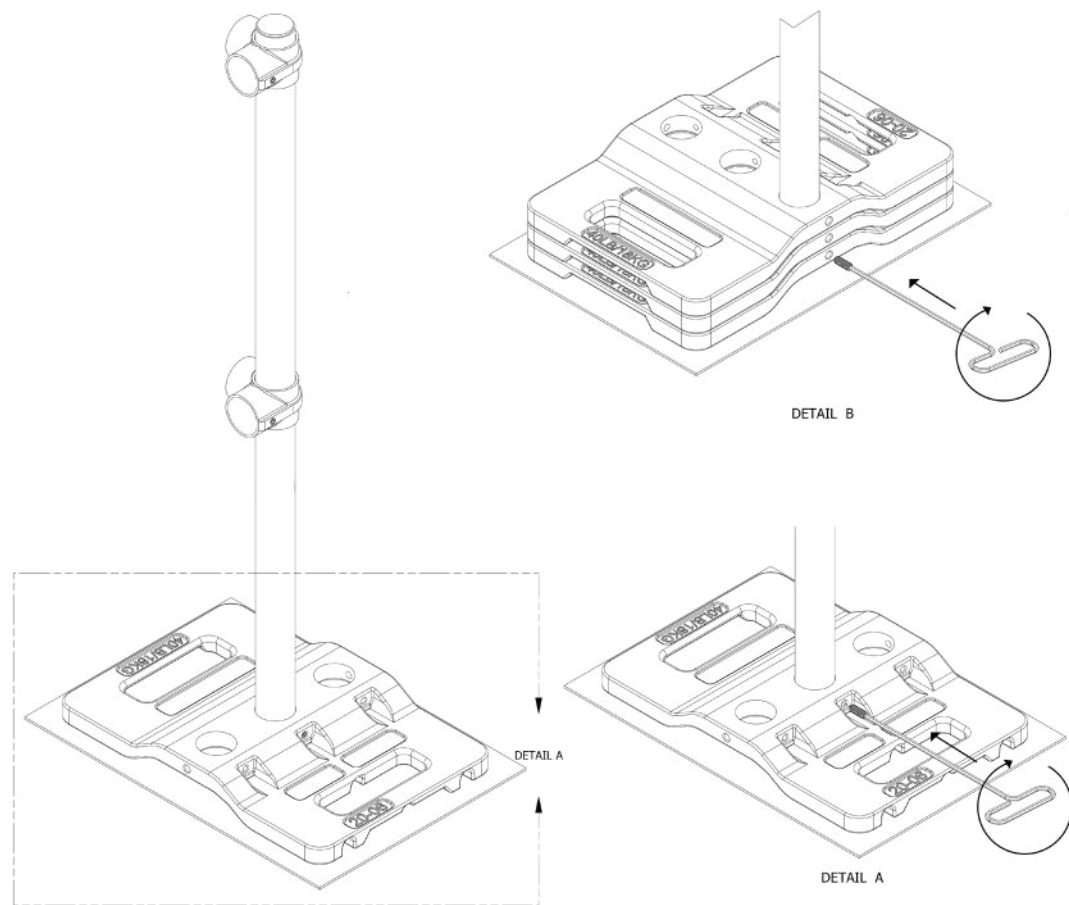
- Set screws in all fittings should be tightened to approximately 18 ft-lbs. If torque wrench is not available, tighten set screw until it contacts pipe, then tighten one more full revolution.
- Plug open top with RG-Cap.



**WARNING**

Failure to Read, Understand, and Follow the Installation Manual may result in injury or death

Figure 4 - Post/Base Connection



Post/Base Connection

Detail A - Post into base – at leading edge – single baseplate.

- Post may be installed in any of the 3 holes to prevent tripping or positioning base near existing features.
- One set-screw per baseplate required to be secured against post.
- Torque to 25 ft-lbs. If torque wrench is not available, tighten set screw until it contacts pipe, then tighten 1.5 more revolutions.

Detail B - 3 baseplates at tie-back for counterweight.

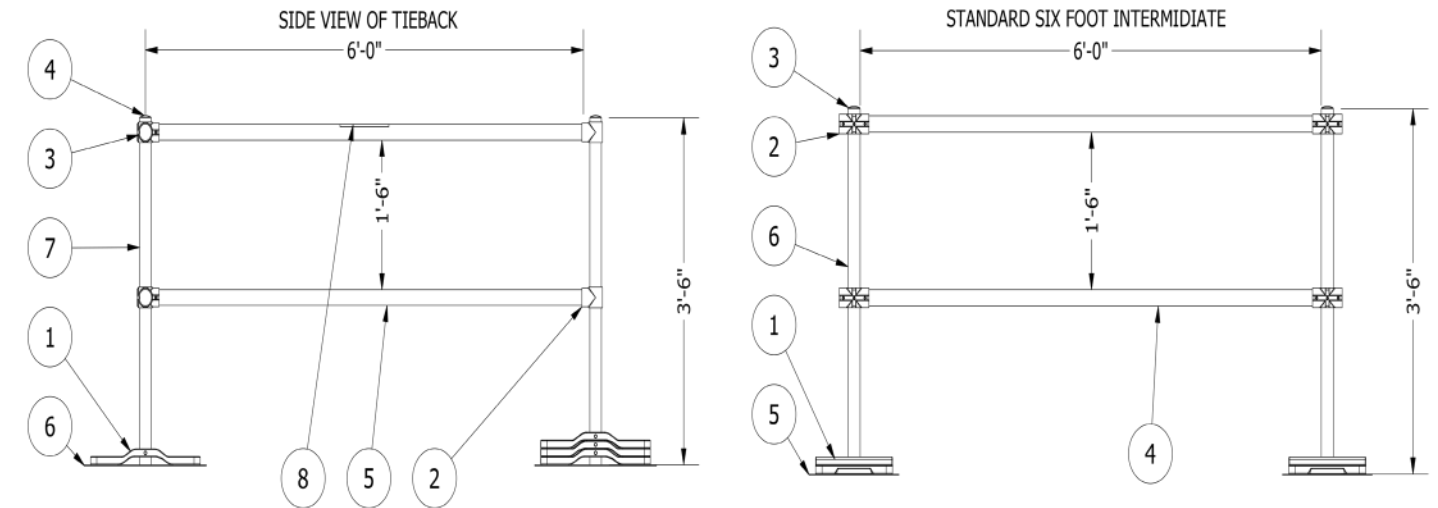
- Post may be installed in any of the 3 holes to prevent tripping or positioning base near existing features.
- For specific baseplate stacking, refer to unique layout drawing.
- One set-screw in the bottom baseplate required to be secured against post.
- Torque to 25 ft-lbs. If torque wrench is not available, tighten set screw until it contacts pipe, then tighten 1.5 more revolutions.



**WARNING**

Failure to Read, Understand, and Follow the Installation Manual may result in injury or death

Figure 5A - Horizontal Rails



8	RG-WARNLABEL	RoofGuard, Warning Label	1
7	RG-POST42	Aluminum Pipe 6061 42 LG	2
6	RG-PAD-RUBBER	Underpad, 1/8" Masticated Rubber, .125 X 14"x20"	2
5	RGP-072	RoofGuard Pipe, 72" Length (6 ft)	2
4	RGF-CAP	Fitting, Plastic Plug for Open Pipe End, 10580	2
3	RGF-070	Fitting, Side Outlet Cross E, Three Socket, 08180	2
2	RGF-010	Fitting, Tee, Single Socket, 08060	2
1	RG-BASEPLATE3	RoofGuard, 3rd Generation Base Plate 40lb	4
#	PART NUMBER	DESCRIPTION	QTY

6	RG-POST42	Aluminum Pipe 6061 42 LG	2
5	RG-PAD-RUBBER	Underpad, 1/8" Masticated Rubber, .125 X 14"x20"	2
4	RGP-072	RoofGuard Pipe, 72" Length (6 ft)	2
3	RGF-CAP	Fitting, Plastic Plug for Open Pipe End, 10580	2
2	RGF-060	Fitting, Cross E, Two Socket, 08100	4
1	RG-BASEPLATE3	RoofGuard, 3rd Generation Base Plate 40lb	2
#	PART NUMBER	DESCRIPTION	QTY

Horizontal Rails

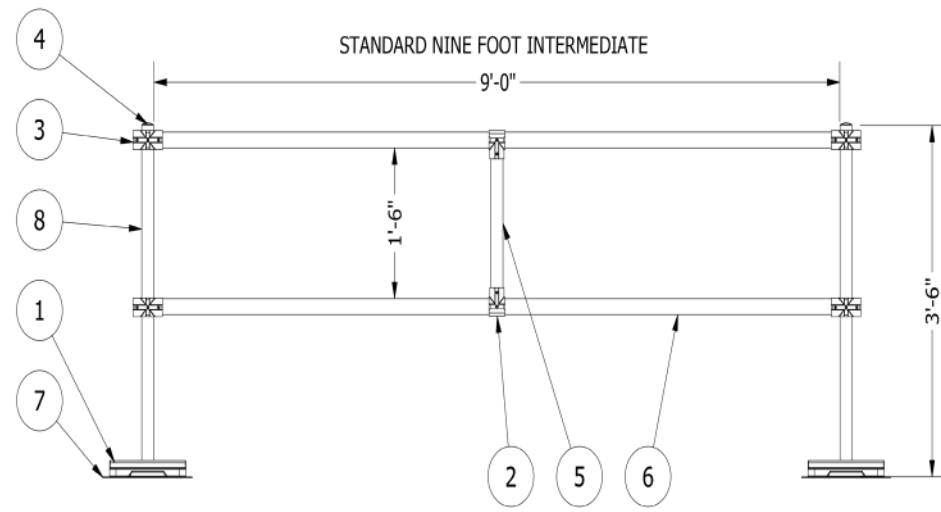
- 6' rails between posts – for tie-back counterweights or 6' spans of rail.
- Top of top rail should be 42" above walking surface.
- Center of Mid-Rail should be 21" above walking surface.
- Refer to unique layout drawing for your system for specific details.



**WARNING**

Failure to Read, Understand, and Follow the Installation Manual may result in injury or death

Figure 5B - Horizontal Rails



8	RG-POST42	Aluminum Pipe 6061 42 LG	2
7	RG-PAD-RUBBER	Underpad, 1/8" Masticated Rubber, .125 X 14"x20"	2
6	RGP-108	RoofGuard Pipe, 108" Length (9 ft)	2
5	RGP-018	RoofGuard Pipe, 18", Mid Spacer	1
4	RGF-CAP	Fitting, Plastic Plug for Open Pipe End, 10580	2
3	RGF-060	Fitting, Cross E, Two Socket, 08100	4
2	RGF-010	Fitting, Tee, Single Socket, 08060	2
1	RG-BASEPLATE3	RoofGuard, 3rd Generation Base Plate 40lb	2
#	PART NUMBER	DESCRIPTION	QTY

Figure 6 - Skylight Rails

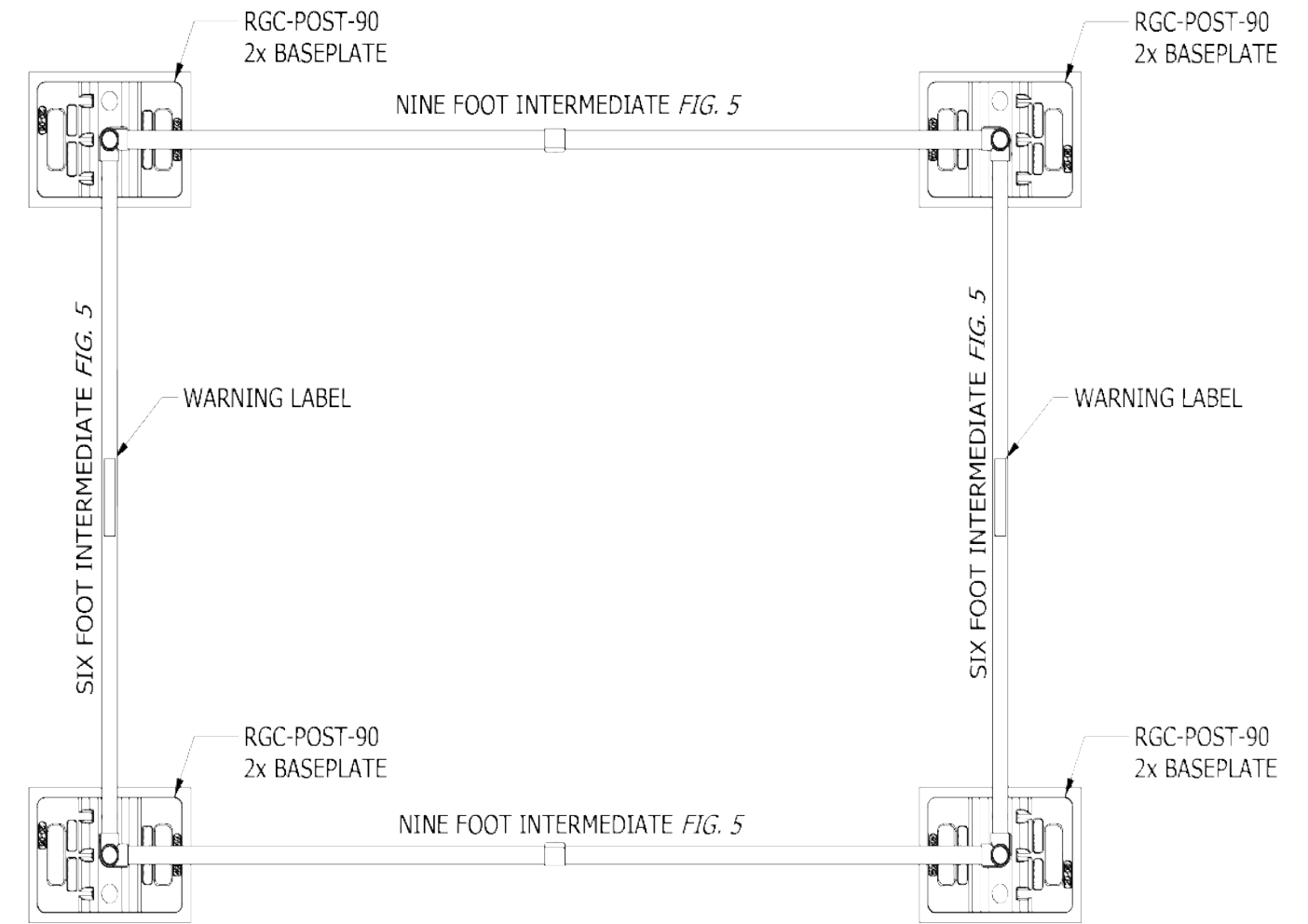


Figure 5B - Horizontal Rails

- 9' rails – along leading edge.
- Use two RGF-010 and one RGP-018 to stiffen.
- Top of top rail should be 42" above walking surface.
- Center of Mid-Rail should be 21" above walking surface.

It is the user's responsibility to maintain the railing system in good working condition to ensure proper function of the railing system

**WARNING**

Failure to Read, Understand, and Follow the Installation Manual may result in injury or death

Figure 6 - Skylight Rails

- RGP-048 – 4' horizontal rails
- RGP-072 – 6' horizontal rails (see Figure 5A)
- RGP-108 – 9' horizontal rails (see Figure 5B)
- Posts get 2 baseplates each.
- Rails make complete enclosure for skylight
- Refer to unique layout drawing for your system for specific details.

**WARNING**

Failure to Read, Understand, and Follow the Installation Manual may result in injury or death

Figure 7 - Hatch Rails

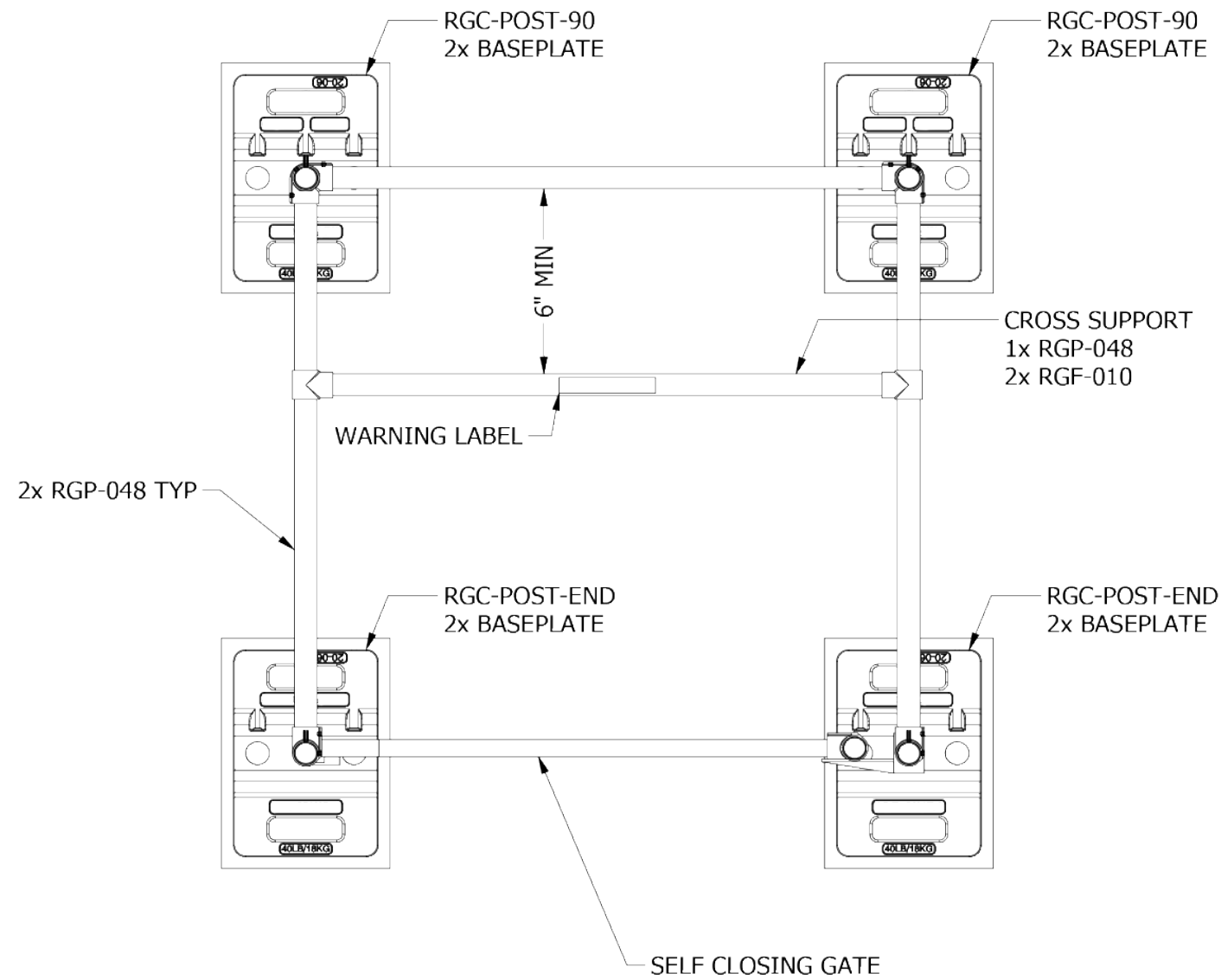


Figure 7 - Hatch Rails

- RGP-048 – 4’ horizontal rails and back rails
- 48” Galvanized Self-Closing Gate
- Posts get 2 baseplates each.
- Top-Rail Stiffener should be 6” minimum from corner posts
- Refer to unique layout drawing for your system for specific details.



**WARNING**

Failure to Read, Understand, and Follow the Installation Manual may result in injury or death



**WARNING**

**IMPROPER USE OR INSTALLATION OF THIS EQUIPMENT MAY CAUSE INJURY OR DEATH**

Failure to Read, Understand, and Follow the Installation Manual may result in injury or death

- DO NOT** lean on the railing
- DO NOT** stand or climb on the railing
- DO NOT** use rail as a tie-off point
- DO NOT** use rail for lifting or hoisting
- DO NOT** install railing within 10-feet of any electrical lines
- DO NOT** use if any component is found defective or damaged
- DO NOT** attach banners, signs, or equipment to rail.
- DO NOT** apply an excess force to the top rail which could cause tipping

- DO** install on a clean, dry, flat surface per Installation Manual
- DO** read and follow this document (Installation Manual) and details on System Drawing

Roofguard and Gargoyle systems are designed and are to be used only for their intended purpose. The use of these guardrail systems or their individual components for any other purpose **may cause injury or death.**

## Fall Protection Warranty

Please refer to website for product warranty information.

[fallsafetysolutions.com/terms-conditions/](https://fallsafetysolutions.com/terms-conditions/)

[factorysupply.com/terms-conditions/](https://factorysupply.com/terms-conditions/)



Liftsafe Fall Protection  
409 Harmony Road  
Ayr, Ontario N0B 1E0  
1(800) 977-2005  
info@liftsafeinspections.com  
www.fallsafetysolutions.com



Factory Supply  
8001 Tower Point Drive  
Charlotte, NC 28227  
1(888) 242-3045  
sales@factorysupply.com  
www.factorysupply.com