



RoofGuard Guardrail System

Model Numbers:

RGC-XP-1

Installation Manual:

RoofGuard X-Press Guardrail Systems

Gargoyle Rooftop Guardrail | Agile Series

This Installation Manual is intended to meet the Manufacturer's Instructions requirements and should be used as part of an employee training program.

WARNINGS AND CONDITIONS

These instructions must be provided to the installer of this system. The installer must read and understand these instructions and follow.

Failure to follow these instructions or the details of the unique layout drawing provided may result in serious injury or death. If you have any questions about this system's use or care, please contact the manufacturer: 1-800-977-2005.

Table of Contents

Component Identification.....2
 Typical Layout.....3
 Post/Base Connection.....4
 Horizontal Rails.....5

! WARNING IMPROPER USE OR INSTALLATION OF THIS EQUIPMENT MAY CAUSE INJURY OR DEATH

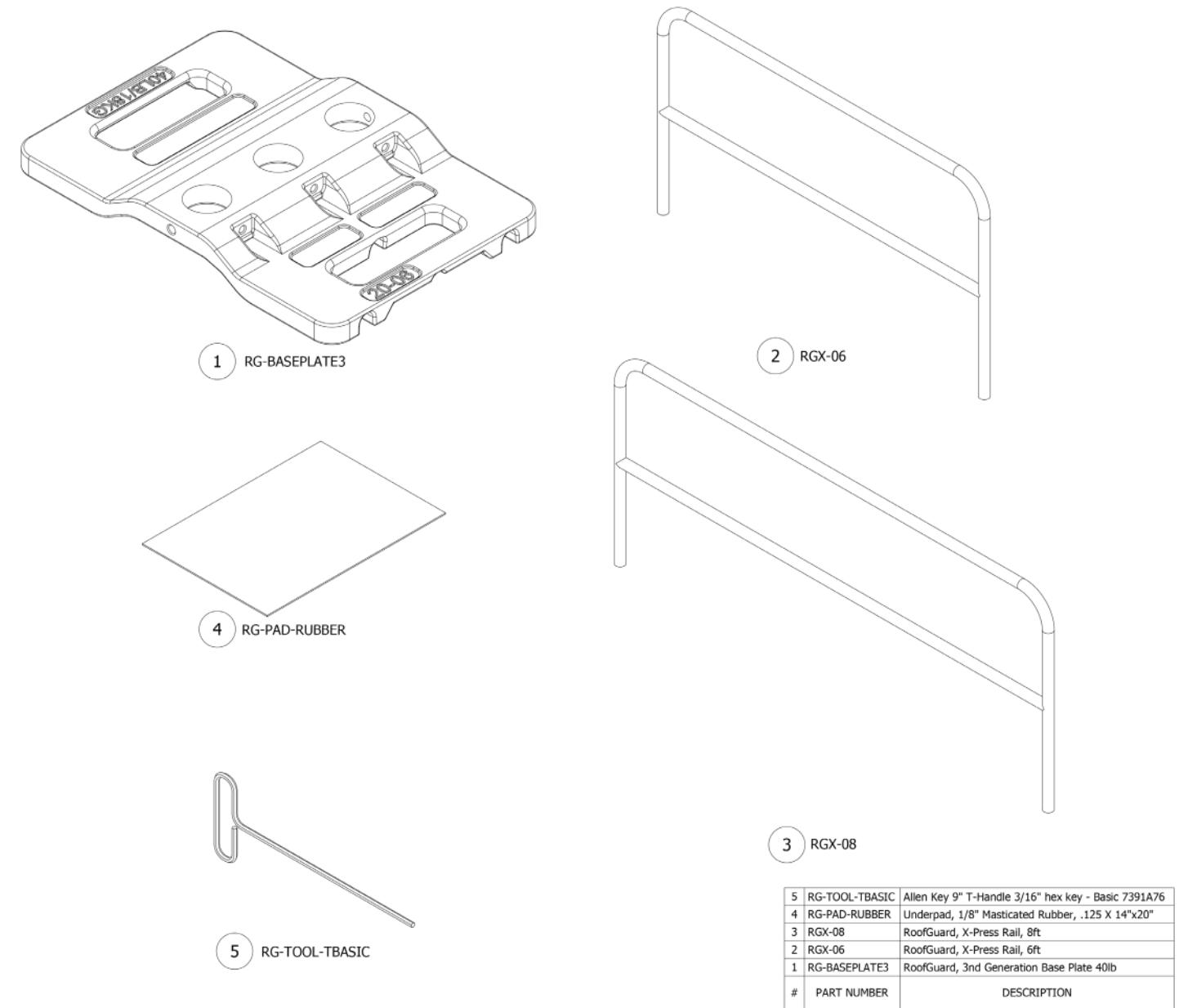
Failure to Read, Understand, and Follow the Installation Manual may result in injury or death

- DO NOT** lean on the railing
- DO NOT** stand or climb on the railing
- DO NOT** use rail as a tie-off point
- DO NOT** use rail for lifting or hoisting
- DO NOT** install railing within 10-feet of any electrical lines
- DO NOT** use if any component is found defective or damaged
- DO NOT** attach banners, signs, or equipment to rail.
- DO NOT** apply an excess force to the top rail which could cause tipping

- DO** install on a clean, dry, flat surface per Installation Manual
- DO** read and follow this document (Installation Manual) and details on System Drawing

Roofguard and Gargoyle systems are designed and are to be used only for their intended purpose. The use of these guardrail systems or their components for any other purpose **may cause injury or death.**

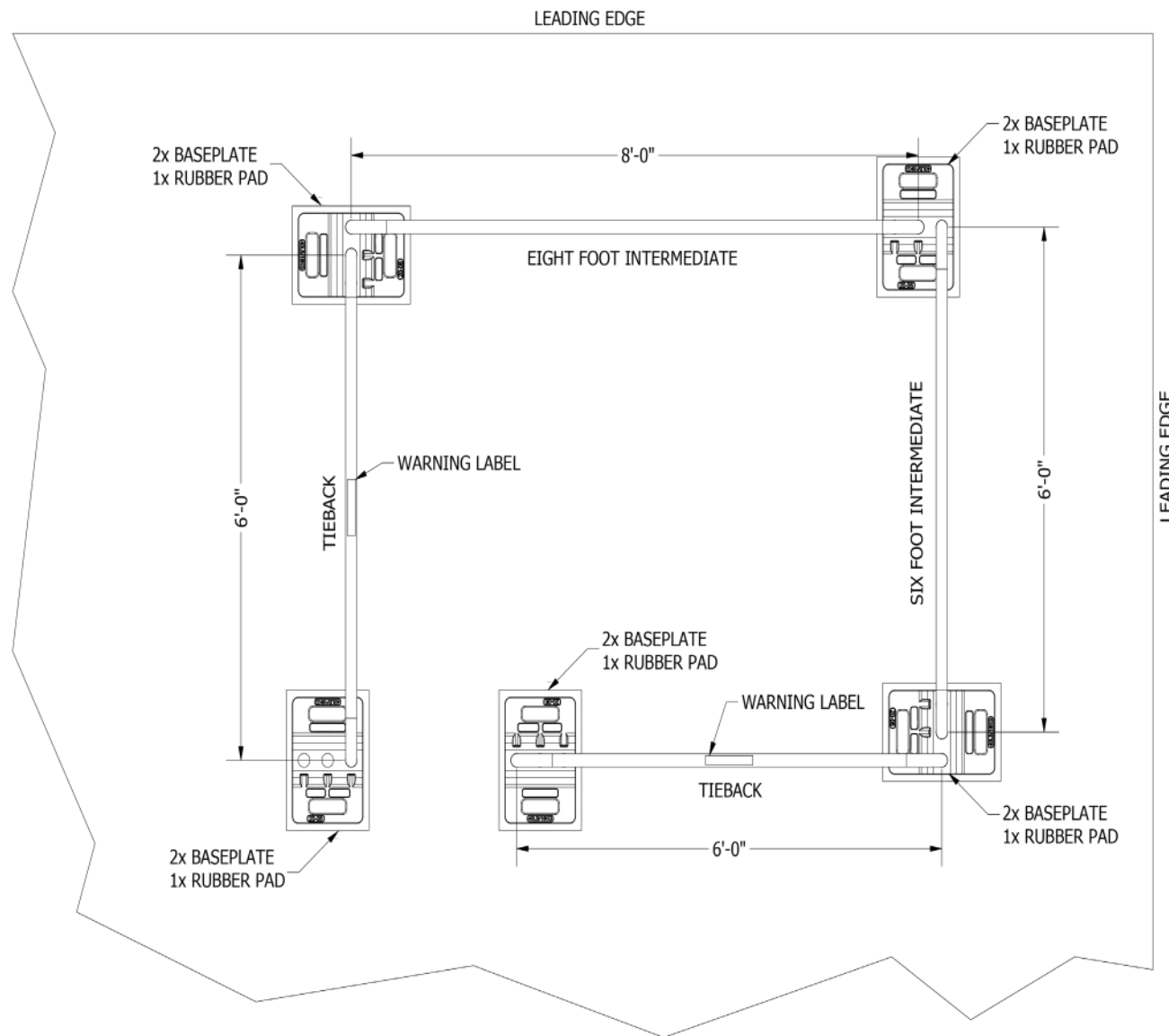
Figure 1 - Component Identification



#	PART NUMBER	DESCRIPTION
5	RG-TOOL-TBASIC	Allen Key 9" T-Handle 3/16" hex key - Basic 7391A76
4	RG-PAD-RUBBER	Underpad, 1/8" Masticated Rubber, .125 X 14"x20"
3	RGX-08	RoofGuard, X-Press Rail, 8ft
2	RGX-06	RoofGuard, X-Press Rail, 6ft
1	RG-BASEPLATE3	RoofGuard, 3rd Generation Base Plate 40lb

! WARNING Failure to Read, Understand, and Follow the Installation Manual may result in injury or death

Figure 2 - Typical Layout



Typical Layout

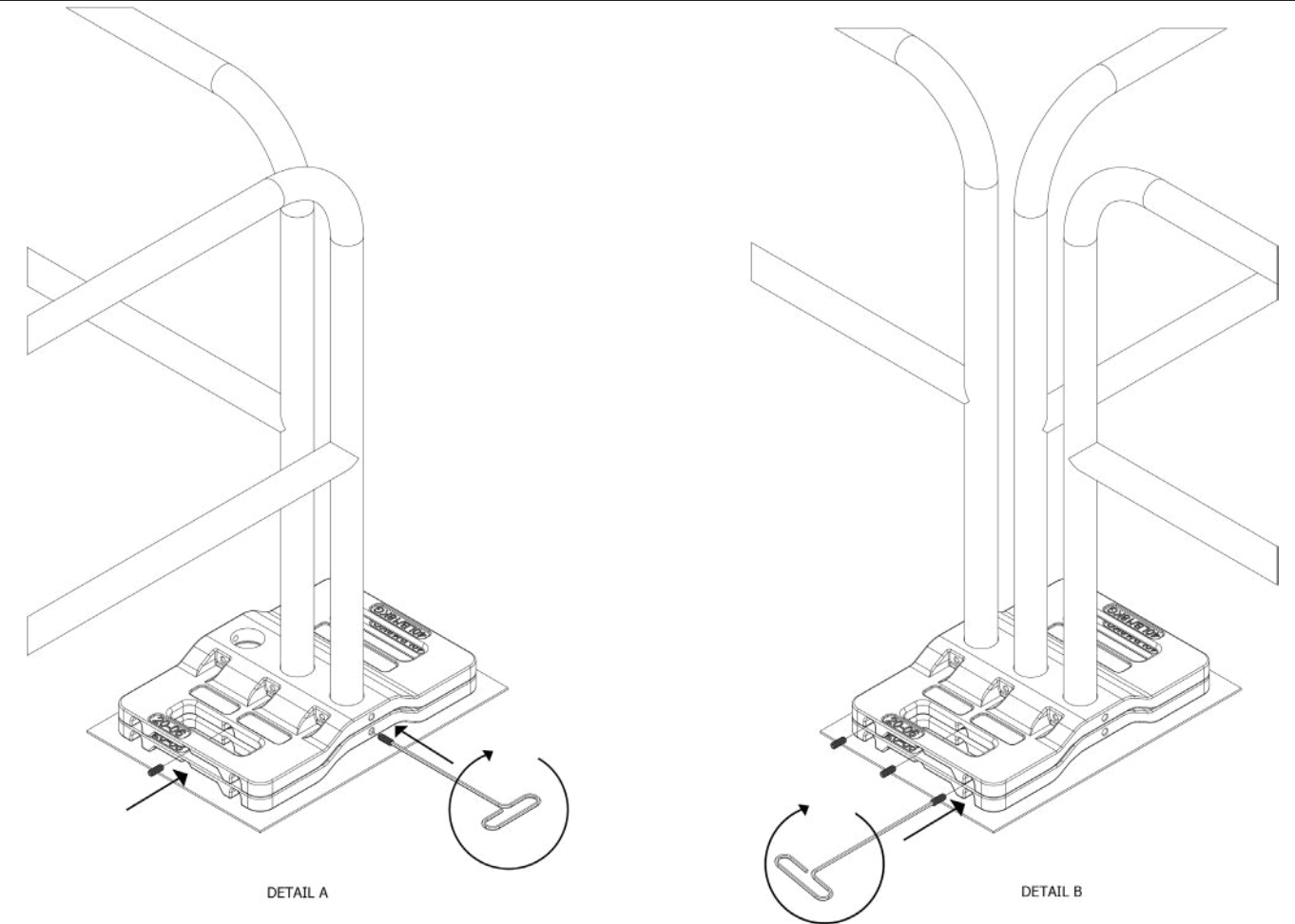
- Install on a flat (5-degrees or less), clean, dry surface, only.
- Tie-back rails must be 6' (2.4m) from any parallel fall hazard/edge.
- If parapet wall/curb is not present – contact manufacturer.
- Install tie-backs perpendicular to hazard edge, at ends of guardrail and at least every 24' (7.3m).
- Each system comes with a unique layout drawing with details specific to that system.
- No modifications or alterations are permitted to the layout without manufacturer's written approval.



WARNING

Failure to Read, Understand, and Follow the Installation Manual may result in injury or death

Figure 3 - Post/Base Connection



Post/Base Connection

Detail A - Post into base – at leading edge – 2 baseplates, two rails in adjacent holes.

- Place Rail leg into 2 baseplates at each location.
- 2 posts will go into each baseplate and must be in adjacent holes. Do NOT allow a blank hole between rails.
- One set-screw per baseplate required to be secured against post.
- Torque to 25 ft-lbs. If torque wrench is not available, tighten set screw until it contacts pipe, then tighten 1.5 more revolutions.

Detail B - 2 baseplates at tie-back for counterweight - 3 rails, 2 in line and 1 perpendicular.

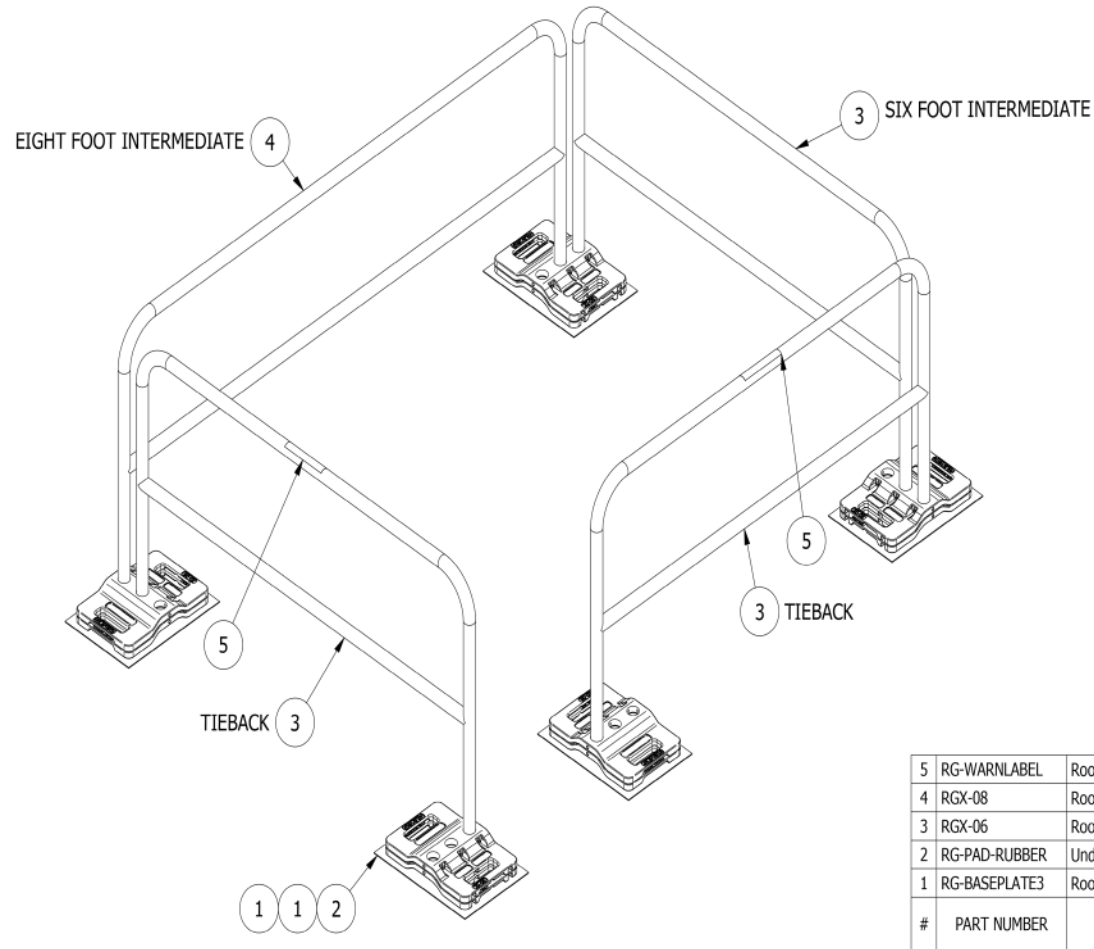
- Tie-back locations will have 3 rails in the baseplates.
- For specific baseplate stacking, refer to unique layout drawing.
- One set-screw in the bottom baseplate required to be secured against post.
- Torque to 25 ft-lbs. If torque wrench is not available, tighten set screw until it contacts pipe, then tighten 1.5 more revolutions.



WARNING

Failure to Read, Understand, and Follow the Installation Manual may result in injury or death

Figure 4 - Horizontal Rails



5	RG-WARNLABEL	RoofGuard, Warning Label	2
4	RGX-08	RoofGuard, X-press Rail, 8ft	1
3	RGX-06	RoofGuard, X-press Rail, 6ft	3
2	RG-PAD-RUBBER	Underpad, 1/8" Masticated Rubber, .125 X 14"x20"	5
1	RG-BASEPLATE3	RoofGuard, 3rd Generation Base Plate 40lb	10
#	PART NUMBER	DESCRIPTION	QTY

Horizontal Rails

- Leading Edge rails are yellow and tie-backs are grey.
- 6' rails between posts – for tie-back counterweights or 6' spans of rail.
- Top of top rail should be 42" above walking surface.
- Center of Mid-Rail should be 21" above walking surface.
- Refer to unique layout drawing for your system for specific details.

It is the user's responsibility to maintain the railing system in good working condition to ensure proper function of the railing system



WARNING

Failure to Read, Understand, and Follow the Installation Manual may result in injury or death



WARNING

IMPROPER USE OR INSTALLATION OF THIS EQUIPMENT MAY CAUSE INJURY OR DEATH

Failure to Read, Understand, and Follow the Installation Manual may result in injury or death

- DO NOT** lean on the railing
- DO NOT** stand or climb on the railing
- DO NOT** use rail as a tie-off point
- DO NOT** use rail for lifting or hoisting
- DO NOT** install railing within 10-feet of any electrical lines
- DO NOT** use if any component is found defective or damaged
- DO NOT** attach banners, signs, or equipment to rail.
- DO NOT** apply an excess force to the top rail which could cause tipping

- DO** install on a clean, dry, flat surface per Installation Manual
- DO** read and follow this document (Installation Manual) and details on System Drawing

Roofguard and Gargoyle systems are designed and are to be used only for their intended purpose. The use of these guardrail systems or their individual components for any other purpose **may cause injury or death.**

Fall Protection Warranty

Please refer to website for product warranty information.

fallsafetysolutions.com/terms-conditions/

factorysupply.com/terms-conditions/



Liftsafe Fall Protection
409 Harmony Road
Ayr, Ontario N0B 1E0
1(800) 977-2005
info@liftsafeinspections.com
www.fallsafetysolutions.com



Factory Supply
8001 Tower Point Drive
Charlotte, NC 28227
1(888) 242-3045
sales@factorysupply.com
www.factorysupply.com